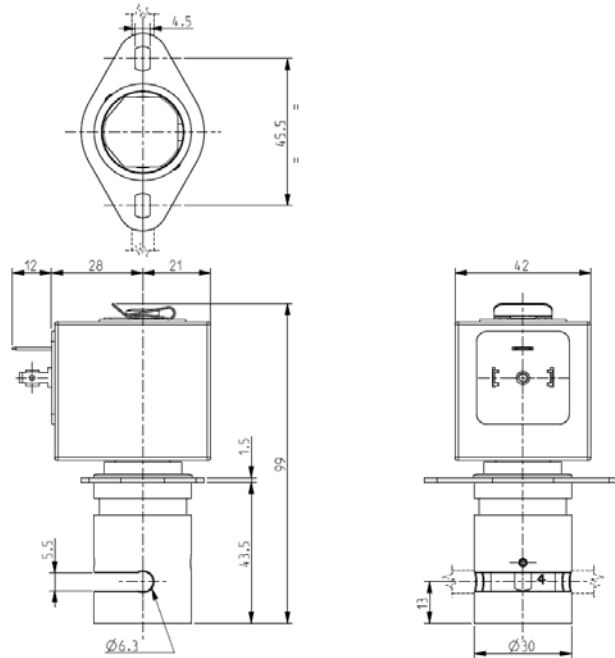




PINCH SOLENOID VALVE 2/2 – NO (Normally open)

S20607



► GENERAL FEATURES

Pinch solenoid valve, suitable to shut off media without producing neither turbulent flows nor dead spaces.
High flow rate under the same conditions of internal diameter of different solenoid valves; the system allows a bi-directional through flow.
The valves are suitable for soft SILICONE tubings or others, similar as to elasticity and hardness (50 shore A).

The tubing is the only material in contact with the fluid.
The tubings are not included in our supply.

► INSTALLATION

Solenoid valve can be mounted in any position.

► MATERIALS

Body Anodized aluminum
Pinching device POM (reinforced acetal copolymer)
Internal components Stainless steel
Core tube Stainless steel

► COIL

Continuous duty ED 100%
Encapsulation material PET (polyethylene-terephthalate) fiberglass reinforced
Insulation class F (140°C)
Ambient temperature -10°C +60°C
Electric connection DIN 46340- 3 poles plug-connectors (EN175301-803)
Protection degree IP65 (DIN 40050) with plug-connectors
Voltages DC 12-24V (+10% -5%)
(Other voltages and frequencies on request)

| TUBINGS | | Pinching strength (kg) | Series and type | | Power absorption (W) | Notes | Weight (kg) |
|-----------|-----------|------------------------|-----------------|-------|----------------------|-------|-------------|
| I.D. (mm) | O.D. (mm) | | Valve | Coil | | | |
| 3,3 | 6,3 | 2,300 | S206-07 | Z130A | 13 | - | 0,420 |

► NOTE

- In case the tubing is not placed in its seat, the solenoid valve could operate incorrectly.

THE VALIDITY OF REPORTED DATA IS REFERRED TO THE DATE OF ISSUE. POSSIBLE UPDATES ARE AVAILABLE ON REQUEST

1301/1709